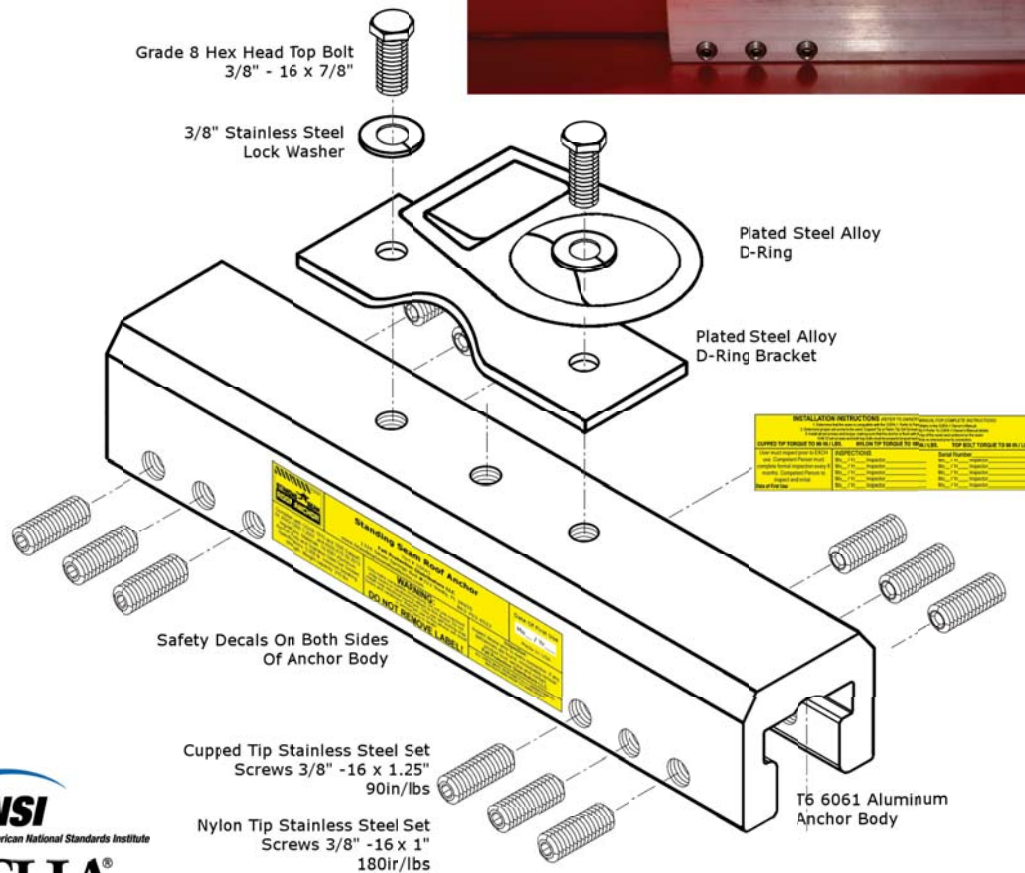




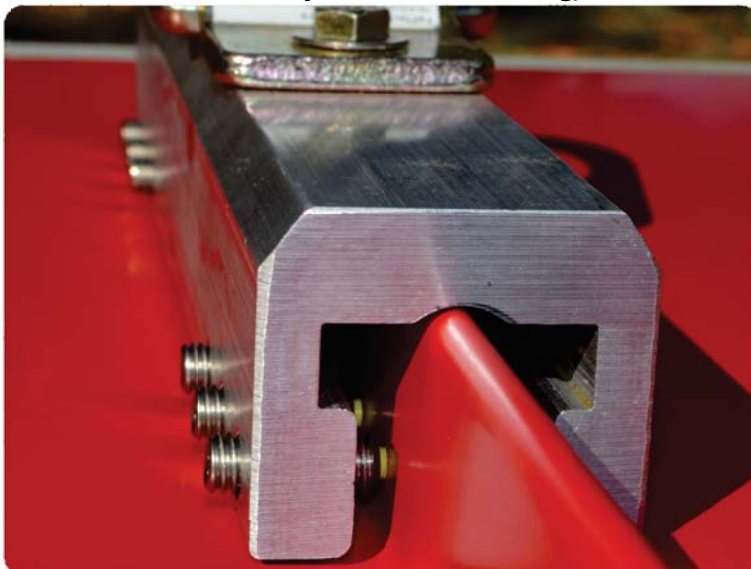
Patent Number US D629,679



Patent Number: US D629,679



Manufactured By Action Manufacturing, LLC



The "Standing Seam Roof Anchor 1" a.k.a. "SSRA1" is a revolutionary product, allowing homeowners, building owners, and contractors to work safely on standing seam roofs without penetrating the panels. Engineered to revolutionize fall protection anchorage attachment on Standing Seam Roofs! The patented, non-penetrating design of this life saving device is unlike anything currently available. It consists of a solid 6061-T6 aluminum body with 12 stainless steel set screws. The standard assembly also includes a 5,000 lbs certified d-ring for single man attachment. It arrives ready to use as a single seam, single user anchor. The only certified component system for mounting just about anything to a standing seam roof. The interchangeable mount allows for attachment of devices from various fall protection manufacturers. Can be used for attachment of roof jacks, walk boards, SRLs, horizontal lifelines, ladder anchoring, etc.

What's Included:

- 6061-T6 Aluminum Body- patented universal fit design
- 5,000 lbs certified D-Ring
- \*12 stainless steel, Cupped Tip set screws w/ 3/16" hex/allen bit
- Owner's Manual
- Lifetime Life Saving Warranty